

Cleanroom Reduction Y Fittings



Before Choosing a Fitting, Consider the Following

When temperature and pressure are essential, ensure that the fittings you select are suitable for your operating conditions. It's important to note that most fittings cannot operate at their maximum temperature and maximum pressure ratings simultaneously.

Use these high-quality PVC-free fittings in biomedical, pharmaceutical, electronic, and other critical-use applications. Fittings are manufactured, double bagged, and sealed in a cleanroom to ensure that the integrity is not compromised. The cleanroom utilizes HEPA filtration systems to maintain air cleanliness levels of less than 10,000 particles of 0.5 µm or larger per cubic foot.



CERTIFICATION

Cole-Parmer will provide a certificate of compliance FREE at your request where applicable.

APPLICATIONS

- Bioprocess, life sciences, and pharmaceutical industries
- General-purpose, laboratory, and single-use applications to connect tubing with the rest of your system

FEATURES/BENEFITS

- Free technical application support available to determine which connector type is needed for your application
- Quick and easy assembly without tools
- Single barb design tightly “grips” the tubing
- Natural Kynar® is biopharma compatible and USP 661 and BPOG compliant
- Polypropylene (PP) meets FDA requirements 21 CFR 177.1520(a)(3)(i) and (c)3.1a and RoHS compliant

USA	+1.800.323.4340
	+1.847.549.7600
Canada	+1.800.363.5900
China	86.21.5109.9909
France	+33 (0) 1486 37800

Germany	+49 (0) 9377 92030
India	+1.800.266.1244
Italy	+39 (0) 1313 89513
UK	+44 (0) 1480.272279
All others	+1.847.549.7600

Materials

PVDF (Kynar®)

- Excellent chemical resistance
- Temperature range: -62 to 129 °C (-80 to 265 °F)
- Sterilize by ethylene oxide or autoclave

Its trade name, Kynar, often refers to PVDF (polyvinylidene fluoride). PVDF is a high-purity engineering thermoplastic with excellent chemical resistance, abrasion resistance, flame resistance, and UV stability. PVDF is widely used for chemical tank liners and semiconductor equipment components.

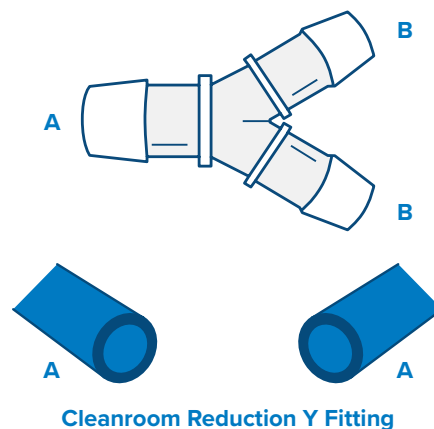
Polypropylene (PP)

- Very good chemical resistance
- Temperature range: -13 to 66 °C (9 to 180 °F)
- Sterilize by ethylene oxide or gamma irradiation

Polypropylene is resistant to weak inorganic acids, organic acids, alcohols, ammonia, and oxidizing salts and has limited resistance to aliphatic hydrocarbons, esters, ketones, and ethers. Polypropylene is generally not recommended for aromatic and halogenated hydrocarbons.

Fittings

For additional options and complete offering, visit coleparmer.com.



Specification and Ordering Table

Tubing ID dimensions (AxB)	Material	Type	Item number	Pack size
5/8" x 3/4"	Natural Kynar 740	Cleanroom Reduction Y Fitting	5011493	10/pk
5/8" x 3/4"	Non-Animal Derived Polypropylene	Cleanroom Reduction Y Fitting	5011473	10/pk
3/4" x 1"	Natural Kynar 740	Cleanroom Reduction Y Fitting	5011495	10/pk
3/4" x 1"	Non-Animal Derived Polypropylene	Cleanroom Reduction Y Fitting	5011475	10/pk
1/8" x 1/4"	Natural Kynar 740	Cleanroom Reduction Y Fitting	5011497	10/pk
1/8" x 1/4"	Non-Animal Derived Polypropylene	Cleanroom Reduction Y Fitting	5011477	10/pk
3/16" x 5/16"	Natural Kynar 740	Cleanroom Reduction Y Fitting	5011499	10/pk
3/16" x 5/16"	Non-Animal Derived Polypropylene	Cleanroom Reduction Y Fitting	5011479	10/pk
1/4" x 3/8"	Natural Kynar 740	Cleanroom Reduction Y Fitting	5011501	10/pk
1/4" x 3/8"	Non-Animal Derived Polypropylene	Cleanroom Reduction Y Fitting	5011481	10/pk
3/8" x 1/2"	Natural Kynar 740	Cleanroom Reduction Y Fitting	5011503	10/pk
3/8" x 1/2"	Non-Animal Derived Polypropylene	Cleanroom Reduction Y Fitting	5011483	10/pk
1/2" x 5/8"	Natural Kynar 740	Cleanroom Reduction Y Fitting	5011505	10/pk
1/2" x 5/8"	Non-Animal Derived Polypropylene	Cleanroom Reduction Y Fitting	5011485	10/pk